

福建福光数码科技有限公司
FUJIAN FORECAM OPTICS CO.,LTD.

PRODUCT SPECIFICATION

PRODUCT:	Mega-Pixel Lens With IR Function
ITEM NO.:	NV03105D.IR
CUSTOMER:	

CUSTOMER APPROVAL	SALES:
DATE:	DATE:
/ /	/ /

APPROVAL BY	CONFIRMED BY	ISSUED BY
何武强	张煜	许端昂

地址: 福清市融侨经济开发区光电园福光科技园

ADD: RICOM Optical Park,RongQiao Economic Development Zone,Fuqing, P.R.China

邮编 (P.C) :350300

电话 (Tel) :0086-591-83982411

传真 (Fax) :0086-591-83302603

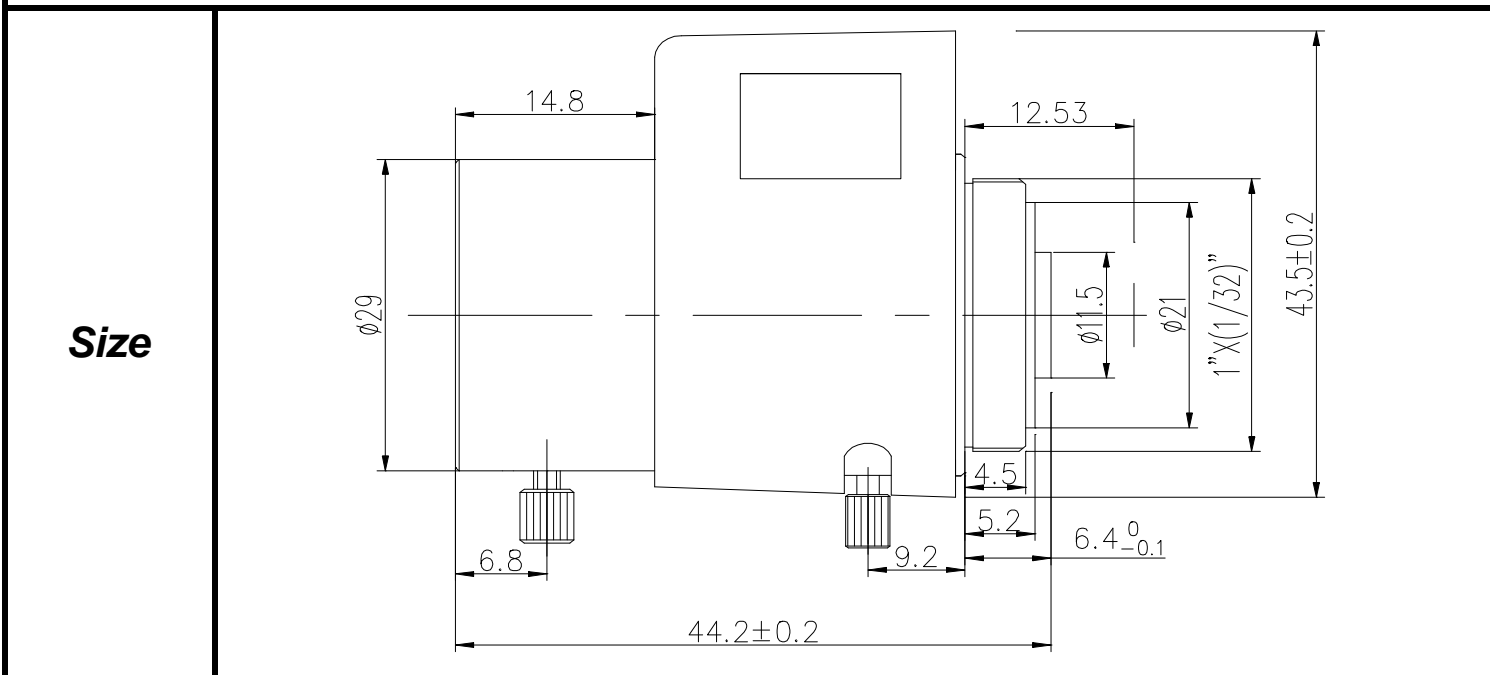
企业网址: www.forecam.com

E-mail: sales@forecam.com

Parameter of Lens

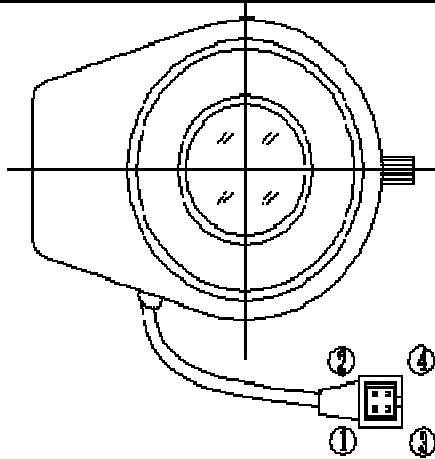
Photo (Just for Reference)

Name		3.0Mega pixel/IR
Model No		NV03105D.IR
Focal-Length(mm)		3.0~10.5
Aperture(D/f')		1 /1.4
Mount		CS
Format(inch)		1/2.7"
Field of View	1/2.7"	D132°xH105.6°xV79.2°~ D35.5° ×H28.4° ×V21.3°
	1/2.8"	D128°xH102.4°xV76.8°~ D34.3° ×H27.4° ×V20.6°
	1/3"	D114°xH91.2°xV68.4°~ D31.9° ×H25.5° ×V19.1°
Dimension(mm)		φ29x44.2x43.5
Weight(g)		59.9±2
M.O.D(m)		0.3
Operation	Focus	(w/lock)
	Zoom	(w/lock)
	Iris	DC



Tolerance	Dimension	0-10	10-30	30-100	Unit
	Tolerance	±0.10	±0.20	±0.30	mm

Auto-Iris



DC Resistance	Excite	200Ω±10%
	Brake	560Ω±10%
Operating Voltage	C→O	3.5V~5V
Iris Wiring instruction	①	Drive-
	②	Drive+
	③	Damp+
	④	Damp-
Iris Line Length:300mm		

Operating Parameters	Ambient Temperature	Relative Humidity (35℃)
	-20℃~+60℃	95%~98%

Vari-Focal Lens

This lens has two(2) focal distance. The change of Tele/wide can be done with zooming. In case you want to make focus at an optional position between Tele/wide you must re-adjust focusing once again.

Direct Drive Iris

This lens is not built-in amplifier for auto iris (AUTO IRIS CONTROL PRINTED CIRCUIT BOARD). Iris blade on lens is being operated by DC from camera accordingly. Please use this lens with combination of camera built-in auto iris amplifier (DC-iris) or camera which can be switchable for Video signal/DC-iris.

Adjustment Of Fixing Position

Fixing between mount and camera must be tuned right toward camera to the end tightly. Lens must be tuned to opposite direction (not clockwise) and you can adjust fixing position of lens quite easily. As per sketch No.1 part of Galvanometric meter must be positioned on left side toward front of camera when you fix lens on camera. When you want to take lens off from camera, you must turn lens to left direction.

Maintenance and Attention

- Carefully make sure that the format size and mount type are suitable for the camera.
- Do not use this lens in an environment that includes high temperatures and humidity or strong vibration
- Do not touch the surface of the lens ,and keep the cap on the lens when not in use.
- When using this lens with a camera housing, keep more than 10mm from the front lens to the glass at the front of the housing.
- Do not take this unit apart or alter the internal mechanism.
- We are not responsible for malfunctions due to customer's modification or mishandling of product.